

get started

INSTANT™ **VORTEX™** SLIM
AIR FRYER 5.7 L
USER MANUAL

Instant™

Welcome

to your new Instant™ Vortex™ Slim Air Fryer!

This Instant Vortex Slim Air Fryer can help you cook delicious meals with less oil and less hassle. We hope you fall in love with Instant air frying and enjoy it in your kitchen for years to come!

Get started with your Vortex Slim Air Fryer!



Scan to Get Started!

To make your cooking experience with Instant as easy as possible, we have created 4 simple steps with how-to videos to guide you. Scan the QR code and follow the steps to become an Instant Chef in no time!

www.instantbrands.co.uk/get-started



Download the **Instant Brands® Connect app** to access 100's of recipe ideas.



Visit the **Instant Brands UK YouTube channel** for how-to videos and recipe inspiration.



Connect with the **Instant Pot UK Facebook Community**, and be inspired with cooking tips, tricks and recipes from this active group of Instant chefs!

⚠ WARNING

Before using your new Vortex, read all instructions, including the Safety and Warranty document. Failure to follow the safeguards and instructions may result in personal injury and/or property damage.

CONTENTS

| | |
|------------------------|----|
| Important safeguards | 2 |
| What's in the box | 7 |
| Using your Vortex | 8 |
| Initial setup | 11 |
| Cooking | 13 |
| Smart programmes | 15 |
| Troubleshooting | 18 |
| Error codes | 19 |
| Learn more | 20 |
| Product specifications | 20 |
| Warranty | 21 |



IMPORTANT SAFEGUARDS

⚠ WARNING

READ ALL INSTRUCTIONS

Placement

DO place the appliance on a countertop only. Always operate the appliance on a stable, non-combustible, level surface.

DO NOT place the appliance on or close to a hot gas or electric burner, or a heated oven.

DO NOT use the appliance near water or flame.

DO NOT use outdoors. Keep out of direct sunlight.

DO NOT place on anything that may block the vents on the appliance.

DO make sure all parts are dry and free of food debris before use.

General Use

DO NOT touch the appliance's hot surfaces, or any accessories during or immediately after cooking because they will be hot.

DO use the appliance's handles and knobs.

DO use oven mitts when removing accessories.

DO place hot accessories on a heat-resistant surface or cooking plate.

DO NOT cover the air frying basket or any part of the appliance with foil. This will cause the oven to overheat.

DO NOT move the appliance while it is in use.

⚠ WARNING

DO NOT allow children or persons with reduced physical, sensory or mental capabilities to operate this appliance. Close supervision is necessary when any appliance is used near children and individuals with reduced capabilities. Children should not play with this appliance.

DO NOT use the appliance for anything other than household use. It is not intended for commercial use.

DO NOT leave the appliance unattended while in use.

DO NOT use the appliance for more than 60 minutes in a 2-hour period.

Air Frying Cautions

When the air fryer is in operation, hot air is released through the air vents. Keep your hands and face at a safe distance from the air vents and take extreme caution when removing hot accessories from the appliance. Failure to do so may result in personal injury or property damage.

While cooking, the internal temperature of the appliance reaches several hundred degrees. To avoid personal injury, never place unprotected hands inside the appliance until it has cooled to room temperature.

DO NOT use a ceramic-coated or stoneware pot for air frying.

DO NOT block the vents on the air fryer. Leave at least 13 cm of space around the air fryer when in use.

DO NOT place the appliance on a hot stove.

DO NOT operate the appliance on or near combustible materials such as tablecloths and curtains.

DO NOT cover the air vents while the air fryer is in operation. Doing so will prevent even cooking and may cause damage to the appliance.

⚠ WARNING

DO NOT overfill the air fryer. Overfilling may cause food to contact the heating element, which may result in personal injury, fire, and/or property damage.

DO NOT pour oil into the cooking container. If needed, spray food lightly with non-stick cooking spray. Using cooking oil could result in personal injury and/or property damage.

DO use caution with cooking containers made of materials other than metal or glass. Failure to do so may result in fire, personal injury, fire and/or property damage.

Should the unit emit black smoke during use, press **Cancel** and unplug the appliance immediately. Wait for smoking to stop before opening the basket, wait for the unit to cool, then clean thoroughly. For further information refer to 'Troubleshooting' in this User Manual.

DO use extreme caution when moving the appliance containing oils or other hot liquids.

DO use extreme caution when removing the tray or disposing of hot grease.

DO NOT use this appliance for deep frying foods.

Accessories

DO use only accessories or attachments authorised by Instant Brands LLC. The use of parts, accessories or attachments not recommended by the manufacturer may cause a risk of electric shock or other personal injury, fire, and/or property damage.

DO NOT use the included accessories in a microwave, toaster oven, convection or conventional oven, or on a ceramic cooktop, electric coil, gas range or outdoor grill.

⚠ WARNING

Care and Storage

DO let the appliance cool to room temperature before cleaning or storage.

DO NOT store any materials in the appliance when not in use.

DO NOT place any combustible materials in the appliance, such as paper, cardboard, plastic, Styrofoam or wood.

DO NOT clean the appliance with metal scouring pads or steel wool. Pieces can break off and touch the electrical parts, causing a risk of electric shock, burns or other personal injury.

Power Cord

A short power-supply cord is provided to reduce the hazards resulting from grabbing, entanglement and tripping. This appliance has a 3-prong earthed plug. To reduce the risk of electric shock:

ONLY plug the power cord into an earthed electrical outlet.

DO NOT remove EARTH.

DO NOT let the power cord hang over edges of tables or counters, or touch hot surfaces or open flame, including the stovetop.

DO NOT use below-counter power outlets.

DO NOT use with extension cords, power converters or adapters, timer switches or separate remote-control systems.

Electrical Cautions

The appliance contains electrical components that are an electrical shock hazard. Failure to follow these instructions may result in electric shock and/or death.

To avoid electrical shock:

To disconnect, select **Cancel**, then remove plug from power source. Always unplug when not in use, as well as before adding or removing parts or accessories, and before cleaning. To unplug, grasp the plug and pull from the outlet. Never pull from the power cord.

⚠ WARNING

DO allow unit to cool before adding or removing parts or accessories.

DO regularly inspect the appliance and power cord.

DO NOT operate the appliance if the power cord or plug is damaged, or after the appliance malfunctions or is dropped or damaged in any manner. For assistance, contact Customer Care by email at **UKsupport@instantbrands.com** (if located in the UK) or **EUsupport@instantbrands.com** (if located in the EU).

DO NOT attempt to dislodge food while the appliance is plugged into an electrical outlet, as this may cause electric shock, burns, or other personal injury, and/or property damage.

DO NOT attempt to repair, replace or modify components of the appliance, as this may cause electric shock or other personal injury, fire and/or property damage, and will void the warranty.

DO NOT tamper with any of the safety mechanisms, as this may result in personal injury and/or property damage.

DO NOT immerse power cord, plug or the appliance in water or other liquid.

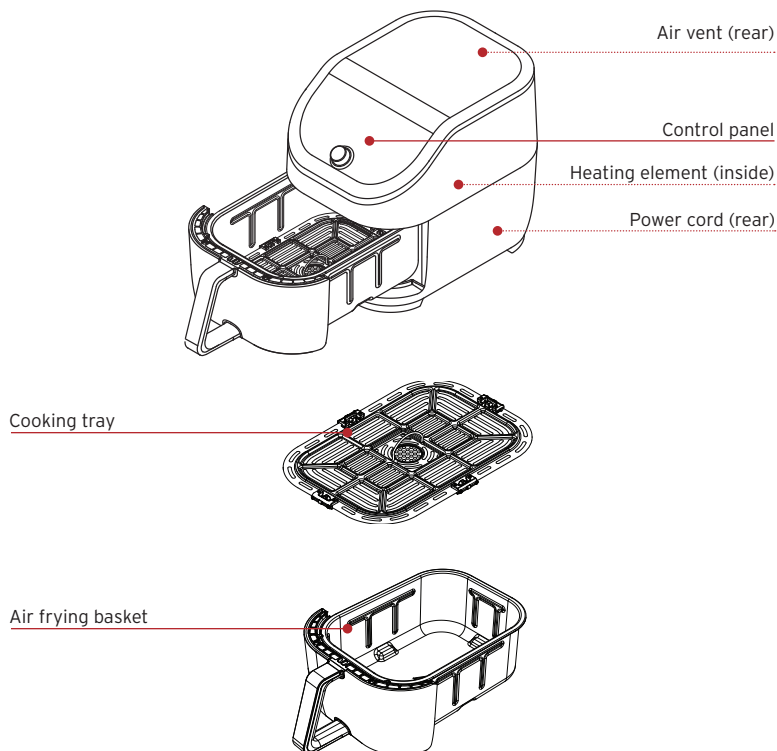
DO NOT rinse the appliance under tap.

DO NOT use the appliance in electrical systems other than 220-240 V ~ 50-60 Hz.

SAVE THESE INSTRUCTIONS

WHAT'S IN THE BOX

Air Fryer



Illustrations are for reference only and may differ from the actual product.

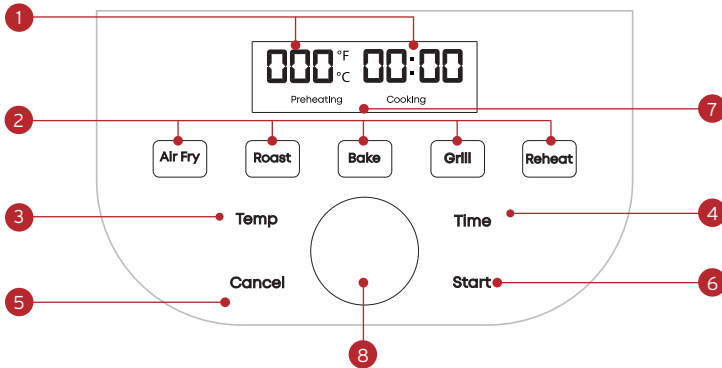
Remember to recycle!

We designed this packaging with sustainability in mind. Please recycle everything that can be recycled where you live.

USING YOUR VORTEX

Control panel

We've designed the control panel to be simple to use and easy to read.



1. Time/Temperature
 - Cooking time
 - Cooking temperature
2. Smart Programmes
 - Air Fry
 - Roast
 - Bake
 - Grill
 - Reheat
3. Temperature
4. Time
5. Cancel
6. Start
7. Progress Messages
8. Control Dial

Turning sound On/Off

- When the display shows OFF, press and hold **Temp** and **Time** buttons for 5+ seconds, until the display shows **S Off** or **S On**.

Audible safety alerts (beeps) cannot be turned off.

Choosing temperature unit

Choose which cooking temperature unit you would like to use, Fahrenheit or Celsius.

- When the display shows OFF, press and hold the **Temp** button for 5+ seconds, until display shows °F or °C.

Save custom settings

You can set and save custom time and temperature settings for any of the five *Smart Programmes*.

1. Select the Smart Programme you want to set.
2. Press the **Time** or **Temp** buttons and turn the Control Dial to change the time and temperature.
3. Press **Start Button** to confirm change.

The next time you use that Smart Programme the new temperature or time is used. Adjustments made after cooking begins are not saved.

Reset Smart Programmes to original settings

Reset individual Smart Programmes

- When the display shows OFF, press and hold one of the Smart Programme buttons until the cooker returns to Ready.

Reset all Smart Programmes

- When the display shows OFF, press and hold the **Control Dial** for over 3 seconds to reset device to its factory settings.

All Smart Programme cooking times and temperatures are restored to the factory default setting.

Cancel active cooking programme

You can cancel any cooking programme at any time.

- When the display shows OFF, Preheating or active cooking programme, press **Cancel**. Depending on the temperature of the unit, the internal fan may keep running to cool the unit.

INITIAL SETUP

Unpack

1. Remove your new Vortex Slim air fryer from the box.
2. Remove all the packaging material from in and around the air fryer.
3. Make sure to remove all the accessories from inside the cooking chamber.
4. Don't remove the rating label from the air fryer.

Clean before use

1. Wipe the interior with a damp cloth. Use a clean, soft cloth to dry.
2. Wash the accessories with hot water and dish soap. Rinse with warm, clear water and use a soft cloth to dry.

Placement

1. Place your Vortex Slim air fryer on a stable, level surface, away from combustible material and external heat sources. Do not place your air fryer on top of another appliance.
2. Make sure to leave at least 13 cm of space above and around all sides of the appliance to allow for sufficient air flow.

Test run

Before using your new Vortex Slim air fryer for the first time, you must perform a test run to ensure everything is working correctly.

To perform a test run:

1. Plug the air fryer into an electrical outlet. The display will show OFF.
2. Insert the cooking basket, but do not add food.
3. Select the Air Fry programme.
4. Select the cooking temperature (205°C).
5. Select the cooking time (18 minutes).
6. When the display shows **Add Food**, just remove and reinsert the cooking basket (do not add any food).
7. When the display shows **Turn Food**, wait 10 seconds for the programme to resume.
8. After the cooking programme ends, allow the unit to cool down.

Now you're ready to cook a meal in your Instant Vortex Slim air fryer!

COOKING

The Vortex Slim air fryer uses rapid air circulation to crisp or cook food, giving your meals all the rich, crispy flavour of deep frying, with little to no oil.

⚠ WARNING

HOT SURFACES

The air fryer will be hot during and after cooking. Always exercise extreme caution when removing food from the hot cooking chamber. Touching hot surfaces may result in personal injury, and/or property damage.

MUST ALLOW AIR FLOW

To prevent personal injury and/or property damage, do not block air intake or air vents.

What to cook in

The air frying basket with perforated cooking tray allows air to flow under and around your food, and should be used for most foods, like wings and cauliflower bites.

For the Baking programme only, you can use an oven-safe metal or glass baking dish to hold things like batter for cakes and dough for breads. Place the baking dish inside the air frying basket for baking.

You can place food right on the cooking tray, without using foil or other coverings.

Prep

Cut, chop, season, marinate or batter your ingredients according to your recipe.

Cook

1. Insert the air frying basket into the cooker.

When the air frying basket is inserted securely, the front of the basket is flush with the front of the cooker.

2. Press **Air Fry**.

3. Press **Temp/Time** to adjust the temperature and cooking time.
4. Press **Start** to begin. The display shows **Preheating** to indicate that the cooking program has started.

See page 10 to adjust Smart Programme settings.

Add food

1. When the cooker passes the preheating phase, the display shows **Add Food**.
2. Remove the basket, and carefully insert your food into the basket.
3. Reinsert the air frying basket into the cooker and the cooking countdown timer starts.

Turn

1. Part way through the cooking cycle the display shows **Turn Food**.
2. Remove the air fryer basket from the unit and carefully turn, flip, or rotate your food.

*If you do not remove the basket after **Turn Food** displays, cooking will proceed after 10 seconds.*

3. Insert the air frying basket into the cooker. Cooking continues.

Finish

- When the Smart Programme completes, the appliance beeps, and the display shows **End**.

*The "Food-Ready" beep will come up 1 minute later after **End** (and will beep each minute for 10 minutes total) if the basket/door is not open.*

SMART PROGRAMMES

Air Fry

You can air fry foods like chips, cauliflower bites, wings, nuggets and more.

| Setting | Default | Minimum | Maximum |
|--------------|-----------------------|---------------------|-------------------|
| Temperature | 205°C | 82°C | 205°C |
| Cooking Time | 15 minutes (00:15) | 1 minute (00:01) | 1 hour (01:00) |

To air fry

- Follow the basic instructions for Air Frying.
- Select “Air Fry” as the Smart Programme.

Roast

You can roast foods like beef, lamb, pork, poultry, vegetables and scalloped potatoes, for a deliciously tender inside and browned outside.

| Setting | Default | Minimum | Maximum |
|--------------|-----------------------|---------------------|-------------------|
| Temperature | 193°C | 82°C | 205°C |
| Cooking Time | 18 minutes (00:18) | 1 minute (00:01) | 1 hour (01:00) |

To roast

- Follow the basic instructions for Cooking.
- Select “Roast” as the Smart Programme.

Bake

You can bake foods like breads, cakes, pastries and buns, with the Vortex Slim as your own “mini oven”.

| Setting | Default | Minimum | Maximum |
|--------------|-----------------------|---------------------|-------------------|
| Temperature | 185°C | 82°C | 205°C |
| Cooking Time | 30 minutes (00:30) | 1 minute (00:01) | 1 hour (01:00) |

To bake

- Follow the basic instructions for Cooking.
- Select “Bake” as the Smart Programme.
- There is no need to turn the food partway through cooking.

Leave approximately 2.5 cm of space around all sides of the baking dish to allow heat to circulate evenly.

Grill

Grilling cooks using direct top-down heating, perfect for melting cheese on French onion soup, and nachos.

| Setting | Default | Minimum | Maximum |
|--------------|----------------------|---------------------|-----------------------|
| Temperature | 205°C | Not adjustable | Not adjustable |
| Cooking Time | 6 minutes (00:06) | 1 minute (00:01) | 40 minutes (00:40) |

To grill

- Follow the basic instructions for Cooking.
- Select “Grill” as the Smart Programme.
- There is no need to turn the food partway through cooking.

Reheat

Bring the crisp and crunch back to leftover chips and pizza in just a few minutes.

| Setting | Default | Minimum | Maximum |
|--------------|-----------------------|---------------------|-------------------|
| Temperature | 138°C | 149°C | 182°C |
| Cooking Time | 10 minutes (00:10) | 1 minute (00:01) | 1 hour (01:00) |

To reheat

- Follow the basic instructions for Cooking.
- Select “Reheat” as the Smart Programme.

Once this Smart Cooking function starts, the display will show the target temperature and cooking time immediately, there's no preheating time.

CLEANING

Clean your Vortex Slim air fryer after each use. Always unplug the unit and let all parts cool to room temperature before cleaning. Before use or storing, make sure all surfaces are dry.

⚠ WARNING

To prevent electric shock, unplug before cleaning.

DO NOT immerse power cord, plug or the appliance in water or other liquid, which may result in electric shock.

| Part | Cleaning instructions |
|----------------------------|---|
| Cooking tray | <ul style="list-style-type: none">• Dishwasher safe.*• The cooking trays have a non-stick coating. Avoid using metal utensils when cleaning.• Avoid using harsh cleaners. |
| Removable air fryer basket | <ul style="list-style-type: none">• Dishwasher safe.*• The basket has a non-stick coating. Avoid using metal utensils when cleaning.• Avoid using harsh cleaners. |
| Grill Rack and Skewers | <ul style="list-style-type: none">• Dishwasher safe.*• Avoid using harsh cleaners. |
| Cooking chamber | <ul style="list-style-type: none">• Clean with a damp cloth and mild dish soap.• Always check the heating coil and cooking chamber walls for oil spatter and food debris, and clean as needed.• Ensure the heating coil is dry before turning on the air fryer.• To remove baked-on grease and food residue from the cooking chamber, spray with a mixture of baking soda and vinegar and wipe clean with damp cloth. For stubborn stains, allow the mixture to sit on the affected area for several minutes before scrubbing clean. |
| Power cord | <ul style="list-style-type: none">• Clean with a soft, damp cloth or sponge. Wipe dry. |

**Some discolouration may occur after machine washing, but this will not affect the cooker's safety or performance.*

TROUBLESHOOTING

| Problem | Cause | Solution |
|--|---|--|
| Air fryer will not turn on | The appliance is not properly plugged in. | <ul style="list-style-type: none"> • Make sure the power cord is plugged into the outlet firmly. |
| | Outlet is not powered. | <ul style="list-style-type: none"> • Plug another appliance into the same outlet to test the circuit. |
| | The air frying basket isn't fully inserted. | <ul style="list-style-type: none"> • Make sure the air frying basket is fully inserted. |
| Black smoke is coming from the air fryer | Using an oil with a low smoke point. | <ul style="list-style-type: none"> • Cancel the Smart Programme, unplug the cooker and allow it to cool to room temperature. • Choose a neutral oil with a high smoke point, such as Canola, Avocado, Soybean, Safflower, or Rice Bran. |
| | Food residue on the heating coil, in the cooking chamber or on the accessories. | <ul style="list-style-type: none"> • Cancel the Smart Programme, unplug the cooker and allow it to cool to room temperature. • Remove all accessories from the cooking chamber and clean the cooking chamber and all accessories thoroughly. |
| | Appliance malfunction. | <ul style="list-style-type: none"> • Contact Customer Care. |
| White smoke is coming from the air fryer | Cooking foods with a high fat content, such as bacon, sausages, and hamburgers. | <ul style="list-style-type: none"> • Avoid air frying foods with a high fat content. Check the cooking chamber for excess oil and/or fat and carefully remove as needed before air frying. |
| | Water is vaporising, producing thick steam. | <ul style="list-style-type: none"> • Pat dry moist food ingredients before air frying. • Do not add water or other liquid to the cooking chamber when air frying. |
| | Seasoning on food has blown into element | <ul style="list-style-type: none"> • Be mindful when seasoning food. Spray vegetables and meats with oil before seasoning to help the seasoning stick. |

ERROR CODES

If the control panel displays an error code from this list, there is an issue with the air fryer. Here are the actions you should take to fix the problem.

| Problem | Cause | Solution |
|---------|-----------------------------------|--------------------------|
| E1 | Open circuit. | • Contact Customer Care. |
| E2 | Temperature sensor short circuit. | • Contact Customer Care. |

LEARN MORE

There's a whole world of Vortex Slim Air Fryer information and help just waiting for you. Here are some of the most helpful resources.

Register your product

instantbrands.co.uk/product-registration

Contact Customer Care

instantbrands.co.uk/support

UKSupport@instantbrands.com

EUSupport@instantbrands.com

Instant Brands® Connect App with 100+ recipes

iOS and Android app stores

Cooking charts and more recipes

instantbrands.co.uk/recipes

Replacement parts and accessories

instantbrands.co.uk/product-category/instant

Join the community



PRODUCT SPECIFICATIONS

| Model | Volume | Wattage | Power | Weight | Dimensions |
|-----------|------------|---------|-------------------------|---------|---------------------------------|
| AFB6102SS | 5.7 Litres | 1700 W | 220-240 V ~ 50-60 Hz | 4.84 kg | cm: 45.2 L x 25.9 W x 30.1 H |

WARRANTY

Instant Brands (EMEA) Limited, Instant Brands (Ireland) Limited, and Instant Brands LLC (collectively the “Company”) warrant this appliance to be free from defects in workmanship and material, under normal household use, for a period of one (1) year from the date of original purchase. This Limited Warranty extends only to the original purchaser and use of the appliance in the UK and EU and must be purchased by an authorised distributor of Instant Brands. This warranty does not cover appliance use outside of the UK and EU.

Proof of original purchase date and, if requested, return of your appliance is required to obtain service under this Limited Warranty. Provided that this appliance is operated and maintained in accordance with the written instructions included with the appliance (which are also available at instantbrands.co.uk), the Company will, at its sole discretion, either: (i) repair defects in materials and workmanship; or (ii) replace the appliance. In the event the appliance is replaced, the Limited Warranty on the replacement appliance will expire 12 months from the date of original consumer purchase (UK only).

The Company is not responsible for shipping costs for warranty service.

Limitation and Exclusions

Any modification or attempted modification to your appliance may interfere with the safe operation of the appliance and may result in serious injury and damage. Any modification or attempted modification to your appliance or any part thereof will void the warranty, unless such modification(s) or alteration(s) were expressly authorised by the Company.

This warranty does not cover (1) normal wear and tear; (2) damage resulting from negligent, unreasonable or misuse of the appliance, improper assembly or disassembly, use contrary to the operating instructions, failure to provide reasonable and necessary maintenance, Acts of God (such as fire, flood, hurricanes and tornadoes), or repair or alteration by anyone, unless expressly directed and authorised by the Company; and (3) repairs where your appliance is used for other than normal household use and in a manner contrary to published user or operator instructions.

To the extent permitted by applicable law, the liability of the Company, if any, for any allegedly defective appliance or part shall be limited to repair or replacement of the appliance or part thereof, and shall not exceed the purchase price of a comparable replacement appliance. Except as expressly provided herein and to the extent permitted by law, (1) the Company makes no warranties, conditions or representations, express or implied, usage, custom of trade or otherwise with respect to the appliance or parts covered by this warranty and (2) the Company shall not be responsible or liable for indirect, incidental or consequential damages arising out of or in connection with the use or performance of the appliance or damages with respect to any economic loss, loss of property, loss of revenues or profits, loss of enjoyment or use, costs of removal, installation or other consequential damages of any nature or kind.

You may have rights and remedies under applicable laws, which are in addition to any right or remedy which may be available under this limited warranty. Some states or provinces do not allow for: (1) the exclusion of implied warranties of merchantability or fitness; (2) limitations on how long an implied warranty lasts; and/or (3) the exclusion or limitation of incidental or consequential damages; so these limitations may not apply to you. In these states and provinces, you have only the implied warranties that are expressly required to be provided in accordance with applicable law. The limitations of warranties, liability, and remedies apply to the maximum extent permitted by law. This limited warranty gives you specific legal rights, and you may also have other rights which vary from state to state or province to province.

WARRANTY

Please visit instantbrands.co.uk/product-registration/ to register your appliance. You will be asked to provide your name, your email address, the store name, date of purchase, model number and serial number (both of which are found on the appliance). This registration will enable us to keep you up-to-date with product developments and recipes, and contact you in the unlikely event of a product safety notification. By registering, you acknowledge that you have read and understood the instructions for use and warnings accompanying the appliance.

Warranty Service

To obtain warranty service, please contact our Customer Care Department by creating a support ticket online at [Instantbrands.co.uk/support/](https://instantbrands.co.uk/support/). If we are unable to resolve the problem, you may be asked to send your appliance to the Service Department for quality inspection. Instant Brands is not responsible for shipping costs related to warranty service. When returning your appliance, please include your name, mailing address, email address, phone number, and proof of the original purchase date as well as a description of the problem you are encountering with the appliance.

Within the UK

Instant Brands (EMEA) Limited,
1 Christchurch Way, Woking,
Surrey, GU21 6JG, UK.

Email: UKSupport@instantbrands.com

Telephone: +44 (0) 3331 230051

Within the UK

Instant Brands (Ireland) Limited,
Suite 6, Rineanna House, Shannon Free Zone,
Shannon, Co Clare, Ireland, V14 CA36.

Email: EUSupport@instantbrands.com

Telephone: +44 (0) 3331 230051

This warranty was last updated on 1 September 2019 for all products sold from [1 November 2019]. If your product comes with our older warranty version, your warranty will continue to be honoured.

Recycling

This appliance complies with the WEEE Directive 2012/19/EU on the disposal of electrical and electronic equipment (WEEE). This appliance complies with the European directive for electromagnetic compatibility (EMC) 2014/30/EU and its revisions, as well as Low Voltage Directive (LVD) 2014/35/EU and its revisions. This marking indicates that this product should not be disposed of with other household waste throughout the UK and EU. To prevent possible harm to the environment or human health from uncontrolled waste disposal, recycle it responsibly to promote the sustainable re-use of material sources. To return your used device, please use the return and collection systems or contact Customer Care for further recycling and WEEE information.



Instant Brands (EMEA) Limited
1 Christchurch Way, Woking, Surrey,
GU21 6JG, UK

Instant Brands (Ireland) Limited
Suite 6, Rineanna House, Shannon
Free Zone, Shannon, Co Clare,
Ireland, V14 CA36

[instantbrands.co.uk](https://www.instantbrands.co.uk)

© 2022 Instant Brands LLC

INSTANT and INSTANT BRANDS
are registered trademarks of
Instant Brands Holdings Inc.